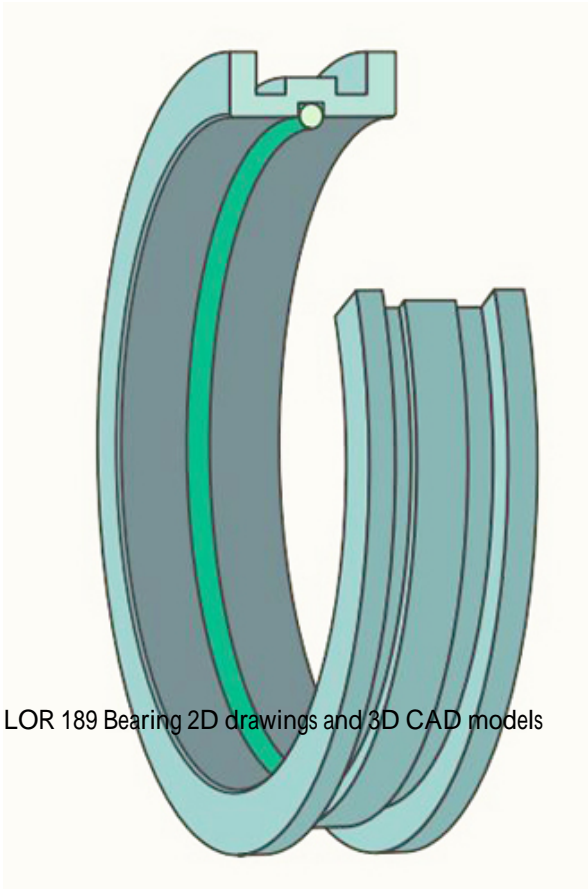




Sealmaster BEARING LTD



LOR 189 Bearing 2D drawings and 3D CAD models

SKF LOR 189 Bearing Seals

Bearing No. LOR 189

seal type:	Labyrinth
compatible bore diameter:	3-1/4 in
seal material:	Nitrile
compatible bearing type:	Spherical Roller