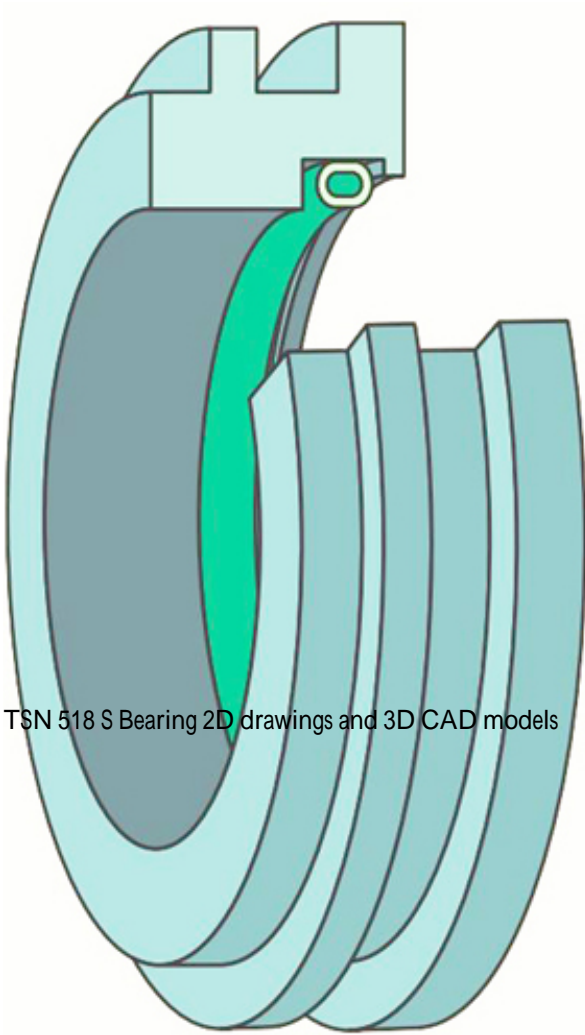




Sealmaster BEARING LTD



SKF TSN 518 S Bearing Seals

Bearing No. TSN 518 S

seal type:	Labyrinth
compatible bore diameter:	80 mm
seal material:	Aluminum
compatible bearing type:	Spherical Roller

TSN 518 S Bearing 2D drawings and 3D CAD models