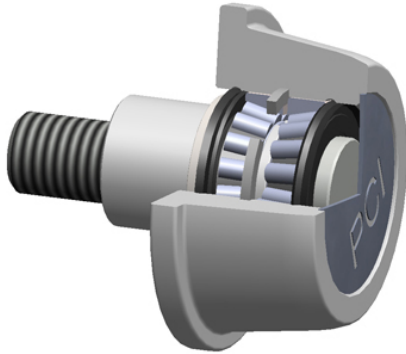




Sealmaster BEARING LTD



PCI Procal Inc. CIRE-6.00 Flanged Cam Followers

Bearing No. CIRE-6.00

roller diameter:	5.5625 in
roller shape:	Channel & I-Beam
roller width:	1.9400 in
closure type:	Double Seal
stud diameter:	1.2500 in
point diameter:	4.9900 in
thread size:	1-1/4-12
radial dynamic load capacity:	14300 lbs
stud length:	2.5000 in
radial static load capacity:	20000 lbs
roller material:	Chrome Steel
technical specifications:	Click here
bearing element:	Tapered Rollers

CIRE-6.00 Bearing 2D drawings and 3D CAD models