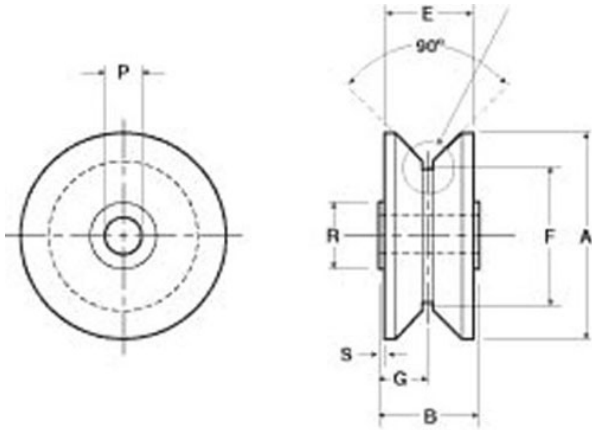




Sealmaster BEARING LTD



Osborn Load Runners HPVA-76-1 V-Groove Cam Followers

Bearing No. HPVA-76-1

roller diameter:	110 mm
radial dynamic load capacity:	63480 N
roller width:	46 mm
radial static load capacity:	88960 N
point diameter:	76 mm
lubrication hole location:	None
roller material:	Stainless Steel
v-groove angle:	90 °
bearing element:	Balls
width to groove center:	23 mm
closure type:	Open

HPVA-76-1 Bearing 2D drawings and 3D CAD models